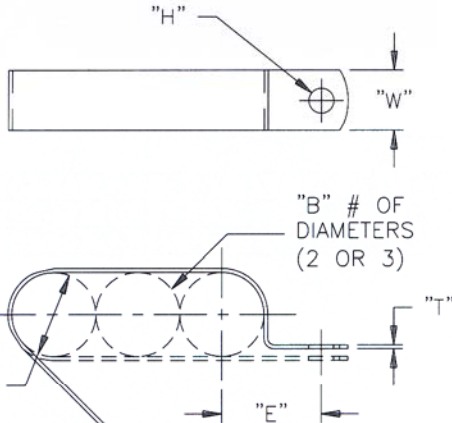
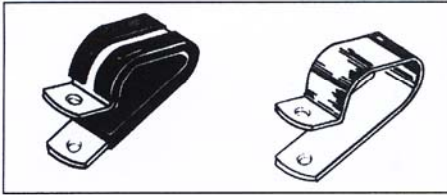


TUBE AND CABLE CLAMPS

OVAL CLAMPS (AOC/AOCN/SOCP/SOCPN)



- Designed to clamp around several cables or tubes in line
 - Slotted hole option available
 - **Material: CRS (S) or Aluminum (A)**
 - **CRS Finish: Clear Zinc Plate**
 - Cushion Type (C):
 - P-Plain (none)
 - V-Vinyl, Plastisol Dipped
 - N-Santoprene
 - Standard Pack: Sizes 3-6, 1000/ pack; sizes 8-16, 500/pack
- Common sizes noted by shading

| "D" HOLDING DIAMETERS | "W" WIDTH | "H" | MAT'L | "T" THICKNESS | "C" | "E" | PART NO. | |
|--------------------------------|---------------|-------------------|-------------------------|----------------|--------------------|-------------------|--------------------|------------------|
| .187 X 2 (4.75 X 2) | .38 (9.7) | .20 (5.1) | A | .032 (0.81) | N | .50 (12.7) | AOCN-3-323-2-203 | |
| | | | S | | N | | SOCPN-3-323-2-203 | |
| A | | | P | | AOC-4-323-B-203 | | | |
| A | | | N | | .53 (13.5) | AOCN-4-323-B-203 | | |
| S | | | P | | | SOCP-4-323-B-203 | | |
| S | | | N | | SOCPN-4-323-B-203 | | | |
| .375 X B (9.53 X B) | | .63 (16.0) | .41 (10.4) | | A | P | .59 (15.0) | AOC-6-323-B-203 |
| | | | | | A | N | | AOCN-6-323-B-203 |
| | | | | | S | P | SOCP-6-323-B-203 | |
| | | | | | S | N | SOCPN-6-323-B-203 | |
| | | | | | A | P | AOC-6-326-B-406 | |
| | | | | | S | N | .69 (17.5) | AOCN-6-326-B-406 |
| S | P | SOCP-6-326-B-406 | | | | | | |
| .500 X B (12.70 X B) | .63 (16.0) | .41 (10.4) | A | N | .75 (19.1) | AOCN-6-326-B-406 | | |
| | | | S | P | | SOCP-6-326-B-406 | | |
| | | | S | N | SOCPN-6-326-B-406 | | | |
| | | | A | P | AOC-8-323-B-203 | | | |
| | | | A | N | .65 (16.5) | AOCN-8-323-B-203 | | |
| | | | S | P | | SOCP-8-323-B-203 | | |
| .625 X B (15.88 X B) | .63 (16.0) | .41 (10.4) | S | N | .75 (19.1) | SOCPN-8-323-B-203 | | |
| | | | A | P | | AOC-8-326-B-406 | | |
| | | | A | N | AOCN-8-326-B-406 | | | |
| | | | S | P | SOCP-8-326-B-406 | | | |
| | | | S | N | SOCPN-8-326-B-406 | | | |
| | | | A | P | AOC-10-326-B-406 | | | |
| .750 X B (19.01 X B) | .63 (16.0) | .41 (10.4) | A | N | .88 (22.4) | AOCN-10-326-B-406 | | |
| | | | S | P | | SOCP-10-326-B-406 | | |
| | | | A | N | SOCPN-10-326-B-406 | | | |
| | | | A | P | AOC-12-326-B-406 | | | |
| | | | A | N | .94 (23.9) | AOCN-12-326-B-406 | | |
| | | | S | P | | SOCP-12-326-B-406 | | |
| .75-1.0 X 2 (19.1-25.4 X 2) | .63 (16.0) | .41 (10.4) | A | .048 (1.22) | .94 (23.9) | AOCN-12-326-B-406 | | |
| | | | S | | | N | SOCPN-12-326-B-406 | |
| | | | S | | P | SOCP-16-486-B-406 | | |
| | | | S | | N | 1.06 (26.9) | SOCPN-16-486-B-406 | |
| | | | S | | P | | SOCP-16-486-B-406 | |
| | | | 1.00 X B (25.40 X B) | | .63 (16.0) | .41 (10.4) | S | .048 (1.22) |
| S | N | SOCP-16-486-B-406 | | | | | | |